

# VALVES



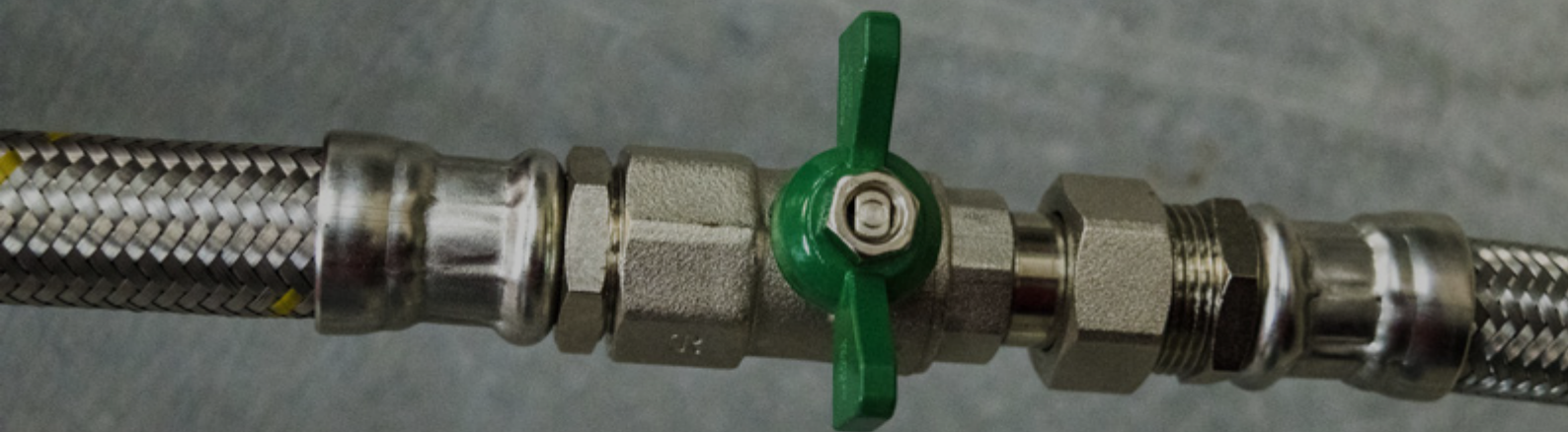
## VALVES

Bromic provide a variety of valves in a variety of handle types and thread configurations. Our valves offer reliability and affordability in both gas and water applications. Our valves come with Australian Gas Association (AGA) and/or WaterMark approval depending on the application.

100% pressure tested, our valve range promises reliability, durability, and safety. You can count on precision engineering, high-quality materials and rigorous testing to give you confidence that you are working with the best.

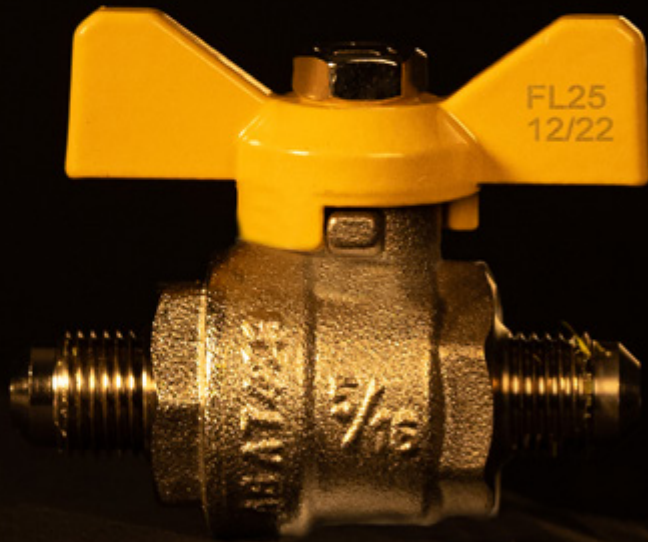
Our range of gas & water valves includes ball valves, butterfly valves, cylinder valves, gas valves, water valves, solenoid valves, shut-off valves & air admittance valves.





<b>Bromic Gas Ball Valves</b>	<b>4-9</b>
Gas T-Handle Flare x Flare Ball Valves	5
Gas Lever Handle Ball Valves	6
Gas T-Handle Ball Valves	7
Gas T-Handle Loose Nut Ball Valves	8
Manual Changeover Valve	9
<b>Bromic Gas/Water Ball Valves</b>	<b>10-11</b>
Gas/Water Lever Handle Ball Valves	10
Gas/Water T-Handle Ball Valves	11
<b>Bromic Water Ball Valves</b>	<b>12</b>
<b>Bromic Magic Valves</b>	<b>13-14</b>
<b>Warranties &amp; Extras</b>	<b>15</b>

Better with Bronic.



## **BROMIC GAS BALL VALVES**

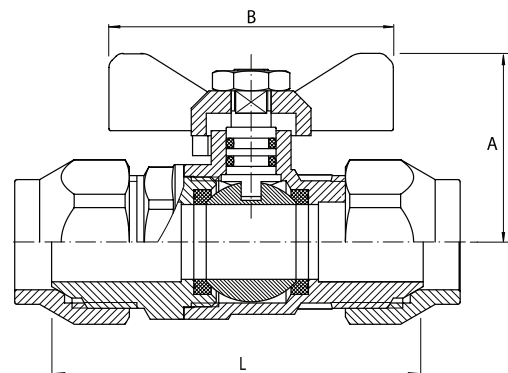
Our valves come with Australian Gas Association (AGA) approval, are manufactured from durable brass & come 100% pressure tested. This guarantees our valves are 100% fit for purpose, so you can be confident when installing.

## Bromic Gas T-Handle Flare x Flare Ball Valves

- 100% Pressure Tested
- High quality brass construction with conical P.T.F.E stem sealing system
- Working Temperature 0°C to 60°C
- Maximum operating pressure @ nominal temperature 2600 kPa
- Approved by the Australian Gas Association for use with Natural Gas and LPG
- Suitable for use with vacuum



## Certifications

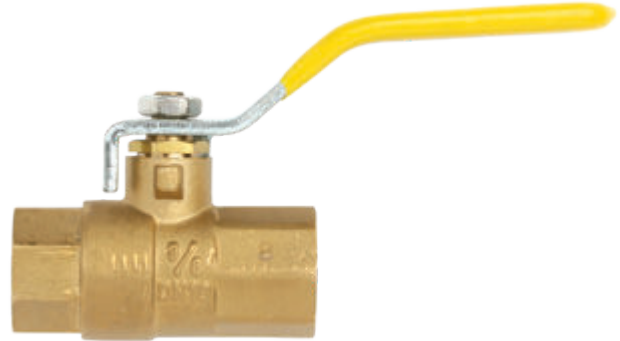


Part No.	Type	Connection	AGA Approval No.	Dimensions (mm)			Pack Qty
				A	B	L	
<b>BSP Flare x Flare T-Handle Ball Valves - Gas</b>							
1210420	T-Handle (Butterfly) Flared w/nut	3/8" BSP	7423	39	57	69.5	20
1210422	T-Handle (Butterfly) Flared w/nut	3/4" BSP	7423	39.8	57	74.5	20
<b>SAE Flared T-Handle Ball Valves - Gas</b>							
1210424	T-Handle (Butterfly) Flared w/nut	3/8" SAE	7423	39	57	69.5	20
1210025	T-Handle (Butterfly) Flared w/nut	5/16" SAE	7423	39	57	63	20
1210026	T-Handle (Butterfly) Flared no/nut	5/16" SAE	7423	39	57	63	20

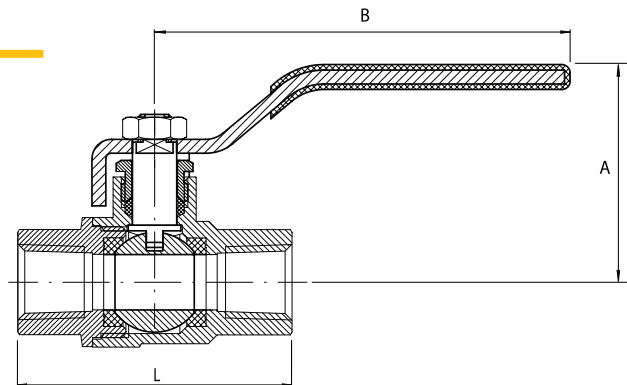
# GAS BALL VALVES

## Bromic Gas Lever Handle Ball Valve

- 100% Pressure Tested
- High quality brass construction
- Working Temperature 0°C to 60°C
- Size range 10mm to 25mm
- Maximum operating pressure @ nominal temperature 1050 kPa
- Approved by the Australian Gas Association for use with Natural Gas and LPG
- Suitable for use with vacuum



## Certifications



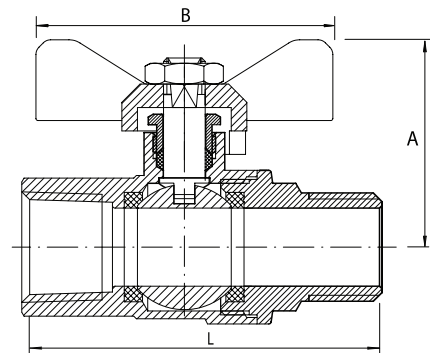
Part No.	Type	Connection		AGA Approval No.	Dimensions (mm)			Pack Qty
		Description	Thread		A	B	L	
1210441	Lever handle	3/8" F x F	RC 3/8"	7425	40	75	49.5	20

## Bromic Gas T-Handle Ball Valves

- 100% Pressure Tested
- High quality brass construction
- Working Temperature 0°C to 60°C
- Size range: 15mm to 20mm
- Maximum operating pressure @ nominal temperature 1050 kPa
- Approved by the Australian Gas Association for use with Natural Gas and LPG
- Suitable for use with vacuum



## Certifications



Part No.	Type	Connection		AGA Approval No.	Dimensions (mm)			Pack Qty
		Description	Thread		A	B	L	
<b>F x F T-Handle Ball Valves - Gas</b>								
1210415	T-handle (Butterfly)	1/2" F x F	RC 1/2" x RC 1/2"	7425	39.5	57	60	20
1210430	T-handle (Butterfly)	1/2" F x M	RC 3/4" x RC 3/4"	7425	46.5	57	74.5	8
<b>M x F T-Handle Ball Valves - Gas</b>								
1210431	T-handle (Butterfly)	3/4" M x F	RC 3/4" x RC 3/4"	7425	46.5	57	68	8
1210419	T-handle (Butterfly)	1" M x F	RC 1" x R 1"	7425	52	57	82	12

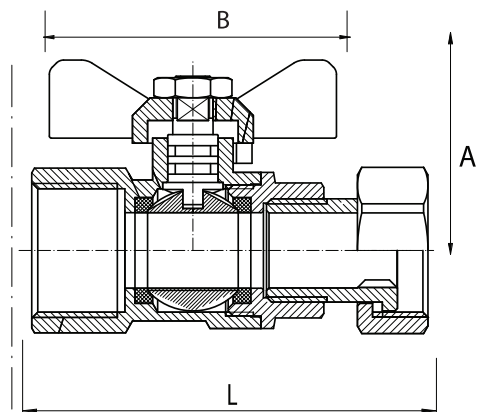
# GAS BALL VALVES

## Bromic Gas T-Handle Loose Nut Ball Valve

- 100% Pressure Tested
- High quality brass construction with conical P.T.F.E. stem sealing system
- Working Temperature 0°C to 60°C
- Size: 20mm
- Maximum operating pressure @ nominal temperature 2600 kPa
- Approved by the Australian Gas Association for use with Natural Gas and LPG
- Suitable for use with vacuum



## Certifications



Part No.	Type	Connection		AGA Approval No.	Dimensions (mm)			Pack Qty
		Inlet	Outlet		A	B	L	
1210450	T-Handle (Butterfly) Loose Nut	3/4" F x F	RC 3/4" x G3/4" Nut	7423	46.5	57	72	16

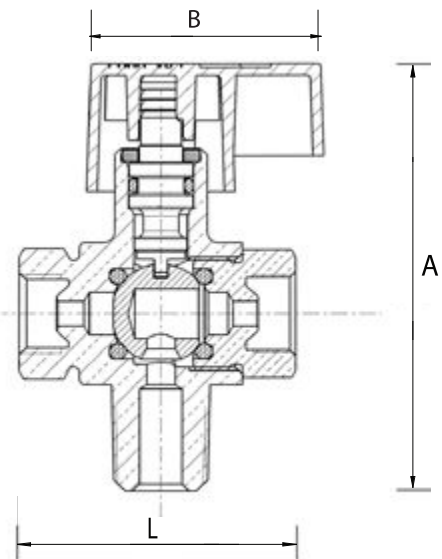


## Bromic Manual Changeover Valve

- 100% Pressure Tested
- High quality brass construction
- Working Temperature 0°C to 60°C
- Maximum operating pressure @ nominal temperature 2550 kPa
- Approved by the Australian Gas Association for use with Natural Gas and LPG
- For use with manual gas regulators



## Certifications

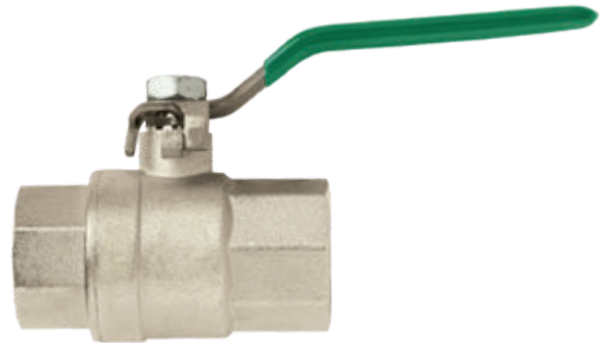


Part No.	Type	Connection		AGA Approval No.	Dimensions (mm)			Pack Qty
		Inlet	Outlet		A	B	L	
1210302	Female Flare	2 x 7/16" Inverted flare	1/4" NPT	4028	60	32	39	10

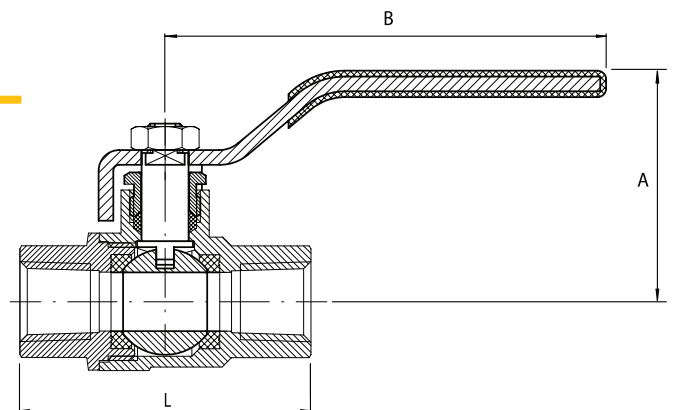
# GAS/WATER BALL VALVES

## Bromic Gas/Water Lever Handle Ball Valves

- 100% Pressure Tested
- 304 stainless steel lever and nut with conical P.T.F.E stem sealing system
- Working Temperature 0°C to 60°C
- Size range: 10mm to 50mm
- Maximum operating pressure @ nominal temperature 1050 kPa
- Approved by the Australian Gas Association for use with Natural Gas and LPG
- WaterMark approved for use with potable water, WM-040069
- Suitable for use with vacuum



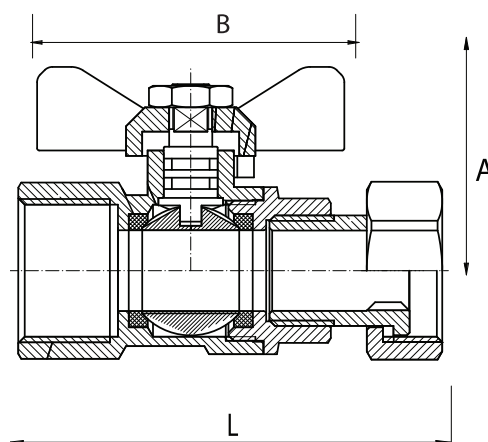
## Certifications



Part No.	Type	Connection		AGA Approval No.	Dimensions (mm)			Pack Qty
		Inlet	Outlet		A	B	L	
<b>F x F Lever Handle Ball Valve - Gas/Water</b>								
1210403	Lever Handle	3/8" F x F	RC 3/8"	7425	40	75	49.5	20
1210405	Lever Handle	3/4" F x F	RC 3/4"	7425	52.5	90	68	16
1210406	Lever Handle	1" F x F	RC 1"	7425	58.3	110	82	12
1210407	Lever Handle	1-1/4" F x F	RC 1-1/4"	7425	64	110	96.5	6
<b>M x F Lever Handle Ball Valve - Gas/Water</b>								
1210436	Lever Handle	3/4" M x F	RC 3/4" x RC 3/4"	7425	52.5	90	68	8

## Bromic Gas/Water T-Handle Loose Nut Ball Valve Kit

- Kit contains one gas valve and one water valve
- 100% Pressure Tested
- High quality brass construction with conical P.T.F.E. stem sealing system
- Working Temperature 0°C to 60°C
- Size: 20mm
- Maximum operating pressure @ nominal temperature 1050 kPa
- Approved by the Australian Gas Association for use with Natural Gas and LPG
- WaterMark approved for use with potable water, WM-040069
- Suitable for use with vacuum



## Certifications

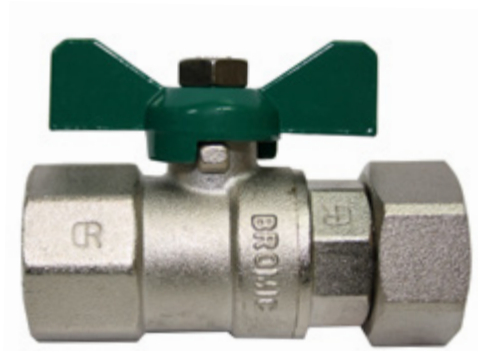


Part No.	Type	Connection		AGA Approval No.	Dimensions (mm)			Pack Qty
		Inlet	Outlet		A	B	L	
1210438	T-Handle (Butterfly) Loose Nut	3/4" F x F	RC 3/4" x G3/4" Nut	7425	46.5	57	72	16

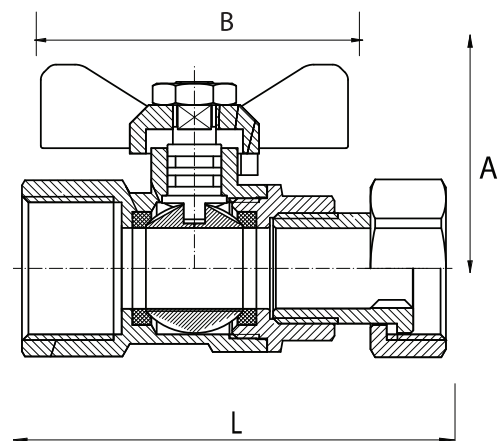
# WATER BALL VALVES

## Bromic Water T-Handle Loose Nut Ball Valves

- 100% Pressure Tested
- High quality brass construction with conical P.T.F.E. stem sealing system
- Working Temperature -20°C to +120°C
- Size range 20mm
- Maximum operating pressure @ nominal temperature 2600kPa
- WaterMark approved for use with potable water, WM-040069
- Suitable for use with vacuum



## Certifications



Part No.	Type	Connection		Dimensions (mm)			Pack Qty
		Inlet	Outlet	A	B	L	
1210437	T-Handle (Butterfly) Loose Nut	3/4" F x F	RC 3/4" x G3/4" Nut	46.5	57	72	16
1210439	T-Handle (Butterfly) Loose Nut	3/4" F x F	RC 3/4" x G3/4" Nut	46.5	57	72	16

## Air Admittance Valve 110mm

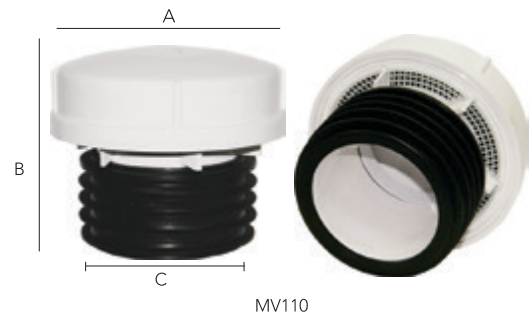
Part No. 1210702

Bromic Magic Valves are air admittance valves designed for roof penetration whilst protecting trap seal.

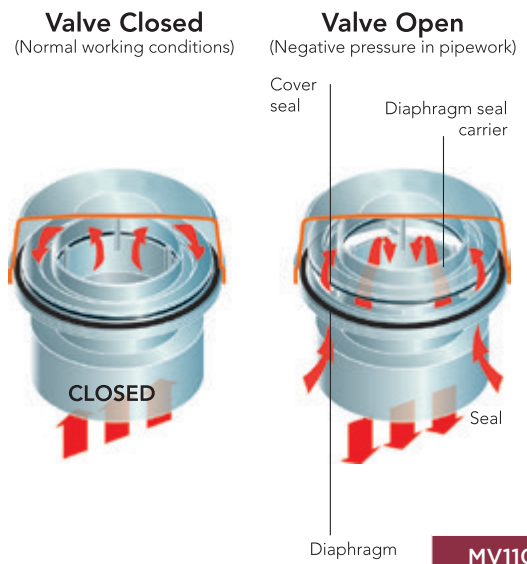
- Saves the need to penetrate the outlet roof shell
- Saves on the cost of pine and expensive fittings
- Saves on roof flashing
- Saves on labour costs
- Prevents the loss of water from trap seals and consequent release of foul air into the building
- WaterMark approved WM-040105



## Certifications



Model	MV110
Part No.	1210702
Airflow capacity (L/sec)	108.32
Temperature range	-20 to +60°C
A	150mm
B	71 mm
C	82.4mm (with seal removed for 110mm pipe)
Connection	32mm, 40mm and 50mm Solvent Cement
Maximum Unit Loading	Up to 172 fixture units for discharge pipes and 10 fixture units for discharge stacks



## Air Admittance Valve with Adaptor for 32-40-50mm

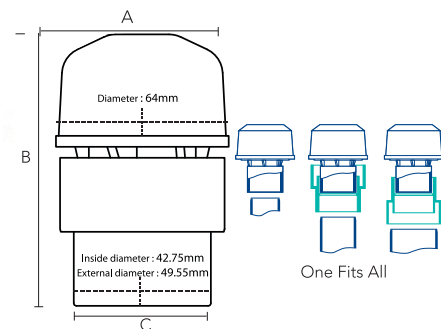
Part No. 1210701

Bromic Magic Valves are air admittance valves designed for roof penetration whilst protecting trap seal.

- Saves the need to penetrate the outlet roof shell
- Saves on the cost of pine and expensive fittings
- Saves on roof flashing
- Saves on labour costs
- Prevents the loss of water from trap seals and consequent release of foul air into the building
- WaterMark approved WM-040105

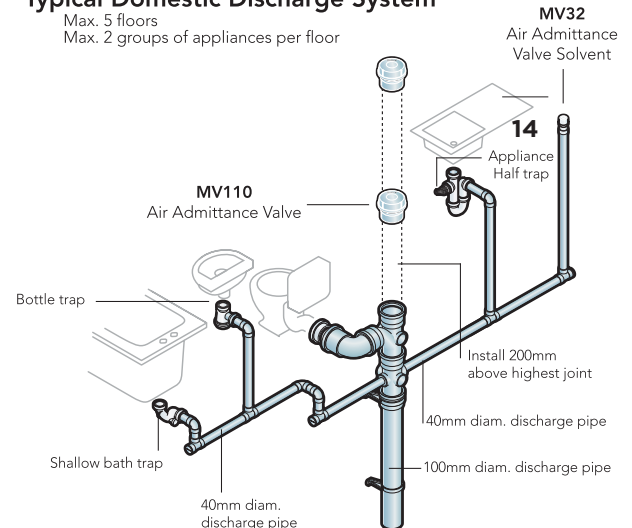


## Certifications



Model	MV32
Part No.	1210701
Airflow capacity (L/sec)	8.99
Temperature range	-20 to +60°C
A	64mm
B	32mm connection = 53.5 mm 40mm connection = 91 mm 50mm connection = 82 mm
C	32mm connection = 36 mm 40mm connection = 42.75 mm 50mm connection = 55.8 mm
Connection	32mm, 40mm and 50mm Solvent Cement
Maximum Unit Loading	Up to 172 fixture units for discharge pipes and 10 fixture units for discharge stacks

## Typical Domestic Discharge System



# WARRANTIES & EXTRA

**All Bromic products are manufactured to the highest quality standard and come with guarantees against any material or workmanship defects; guarantees that cannot be excluded under Australian Consumer Law. For specific warranty details on any of our products, including warranty duration, please refer to the product instructions. Alternatively, you can contact one of our helpful customer service staff or visit [bromicplumbing.com](http://bromicplumbing.com) for more information.**

## **IMAGES, SPECIFICATIONS**

Due to the nature of the printing process, colours shown in this catalogue may differ from the actual colour of products. All images, drawings, graphics and design elements contained in this catalogue are subject to Australian and International copyright law. No part of this catalogue may be reproduced, copied or stored in part or whole without the prior written permission of Bromic Pty Ltd. Product details in this guide are indicative only and may change without notice, Bromic reserves the right to change specifications and any other information contained in this catalogue with no recourse from customers.

## **ORDERING**

Orders can be placed by fax, online or email. Our catalogue includes Part No. to ensure ease of use, with the customer in mind.

## **COMPLIANCE**

Products stocked by Bromic comply with all relevant regulatory requirements i.e. MEPS, AGA, electrical and safety requirements.

**Australia & NZ**

10 Phiney Place, Ingleburn  
NSW 2565 Sydney AUSTRALIA

Visit **BROMICPLUMBING.COM**  
email **plumbing@bromic.com**  
or call **AU 1300 276 642 / NZ 0508 276 642**

