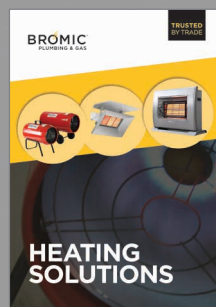
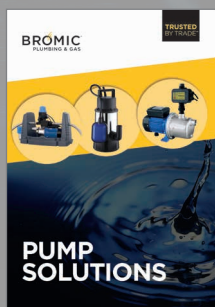
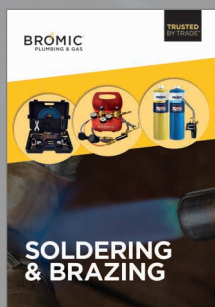
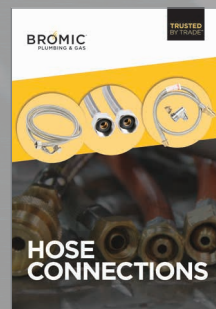
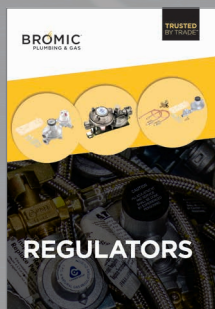


VALVES

Bromic Plumbing & Gas has been at the core of Bromic Group's operations for the last 40 years. Over that time it has grown to provide thousands of high-quality products, to industries across Australia, New Zealand, and the Pacific Islands. We are pleased to present new Plumbing & Gas catalogues to provide you with complete information about our products. Each product has passed demanding quality assurance testing to maintain the stringent standards that position Bromic Plumbing & Gas as the only name truly trusted by trade.



About

Bromic provide a variety of valves available in a number of handle types and thread configurations, our valves offer reliability and affordability in both gas and water applications. Our valves come with Australian Gas Association (AGA) and/or WaterMark approval depending on the valves application. Bromic valves and connections are made from brass and come 100% pressure tested to guarantee our valves are 100% fit for purpose so you can feel comfortable installing them.

Our range of gas & water valves includes ball valves, butterfly valves, cylinder valves, gas valves, water valves, solenoid valves, shut-off valves & air admittance valves.

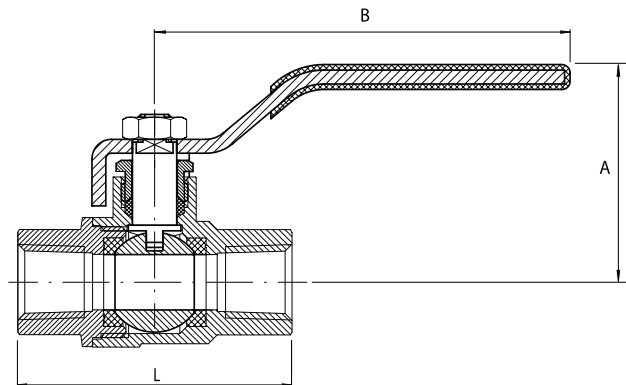
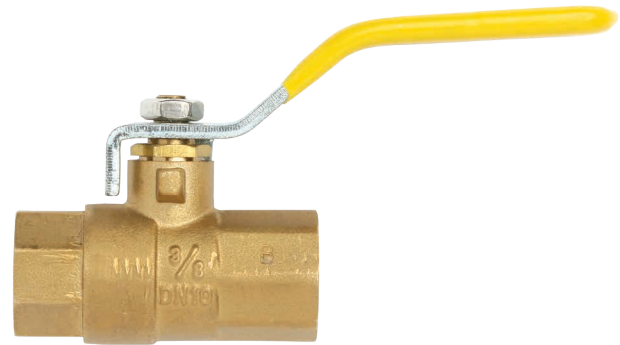
Contents

Bromic Gas Ball Valves	4-7
Bromic Gas Lever Handle Ball Valves	4
Bromic Gas T-Handle Ball Valves	5
Bromic Gas T-Handle Flare x Flare Ball Valves	6
Bromic Gas T-Handle Loose Nut Ball Valves	7
Bromic Manual Changeover Valve	7
Bromic Gas/Water Ball Valves	8-10
Bromic Gas/Water Level Handle Ball Valves	8
Bromic Gas/Water T-Handle Ball Valves	9
Bromic Gas/Water T-Handle Loose Nut Ball Valves	10
Bromic Water Ball Valves	11
Bromic Water T-Handle Loose Nut Ball Valves	11
Bromic Magic Valves	12-13
Warranties & Extras	14

Bromic Gas Ball Valves

Bromic Gas Lever Handle Ball Valves

- 100% Pressure Tested
- High quality brass construction
- Working Temperature -20°C to +120°C
- Size range 10mm to 25mm
- Maximum operating pressure @ nominal temperature 2600 kPa
- Approved by the Australian Gas Association for use with Natural Gas and LPG
- Suitable for use with vacuum



Application

Natural Gas / LPG

Part No.	Type	Connection		AGA Approval No.	Dimensions (mm)			Pack Qty
		Description	Thread		A	B	L	
1210441	Lever handle	3/8" F x F	RC 3/8"	7425	40	75	49.5	20
1210442	Lever handle	1/2" F x F	RC 1/2"	7425	49	90	60	20
1210443	Lever handle	3/4" F x F	RC 3/4"	7425	52.5	90	68	16
1210444	Lever handle	1" F x F	RC 1"	7425	58.3	110	82	112

Bromic Gas Ball Valves

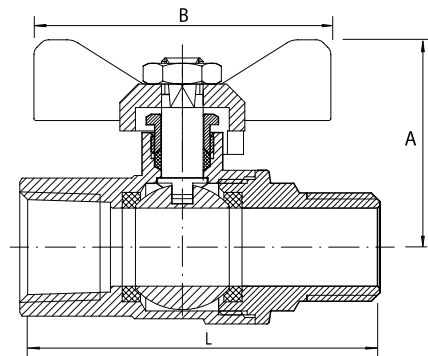
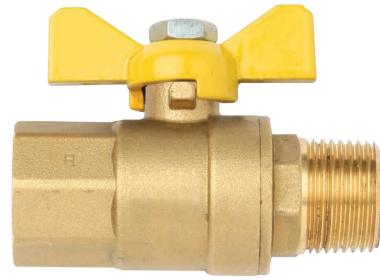
Bromic Gas T-Handle Ball Valves

- 100% Pressure Tested
- High quality brass construction
- Working Temperature -20°C to +120°C
- Size range: 15mm to 20mm
- Maximum operating pressure @ nominal temperature 2600 kPa
- Approved by the Australian Gas Association for use with Natural Gas and LPG
- Suitable for use with vacuum



Application

Natural Gas / LPG

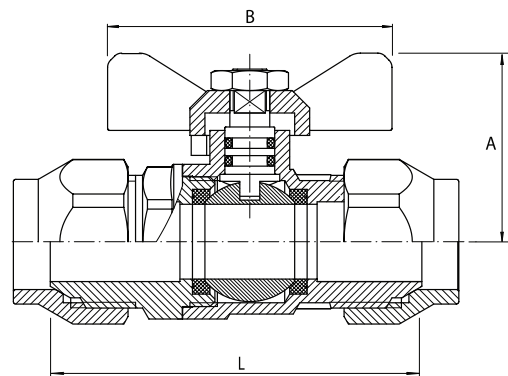
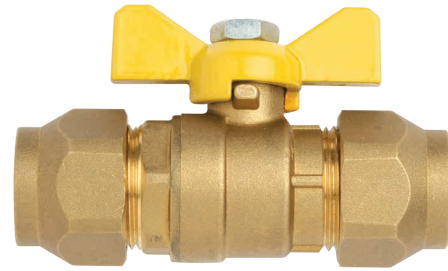


Part No.	Type	Connection		AGA Approval No.	Dimensions (mm)			Pack Qty
		Description	Thread		A	B	L	
F x F T-Handle Ball Valves - Gas								
1210415	T-handle (Butterfly)	1/2" F x F	RC 1/2" x RC 1/2"	7425	39.5	57	60	20
1210416	T-handle (Butterfly)	3/4" F x F	RC 3/4" x RC 3/4"	7425	46.5	57	68	16
1210430	T-handle (Butterfly)	1/2" F x M	RC 3/4" x RC 3/4"	7425	46.5	57	74.5	8
M x F T-Handle Ball Valves - Gas								
1210431	T-handle (Butterfly)	3/4" M x F	RC 3/4" x RC 3/4"	7425	46.5	57	68	8
1210419	T-handle (Butterfly)	1" M x F	RC 1" x R 1"	7425	52	57	82	12

Bromic Gas Ball Valves

Bromic Gas T-Handle Flare x Flare Ball Valves

- 100% Pressure Tested
- High quality brass construction with conical P.T.F.E stem sealing system
- Working Temperature -20°C to +120°C
- Maximum operating pressure @ nominal temperature 1050 kPa
- Approved by the Australian Gas Association for use with Natural Gas and LPG
- Suitable for use with vacuum



Application

Natural Gas / LPG applications

Part No.	Type	Connection	AGA Approval No.	Dimensions (mm)			Pack Qty
				A	B	L	
BSP Flare x Flare T-Handle Ball Valves - Gas							
1210420	T-Handle (Butterfly) Flared w/nut	3/8" BSP	7423	39	57	69.5	20
1210422	T-Handle (Butterfly) Flared w/nut	3/4" BSP	7423	39.8	57	74.5	20
SAE Flared T-Handle Ball Valves - Gas							
1210423	T-Handle (Butterfly) Flared w/nut	1/2" SAE	7423	39	57	72	16
1210424	T-Handle (Butterfly) Flared w/nut	3/8" SAE	7423	39	57	69.5	20
1210025	T-Handle (Butterfly) Flared w/nut	5/16" SAE	7423	39	57	63	20
1210026	T-Handle (Butterfly) Flared no/nut	5/16" SAE	7423	39	57	63	20

Bromic Gas Ball Valves

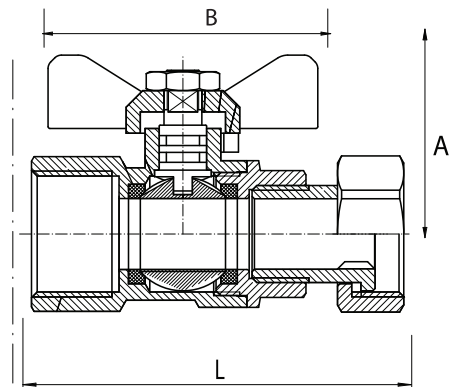
Bromic Gas T-Handle Loose Nut Ball Valves

- 100% Pressure Tested
- High quality brass construction with conical P.T.F.E. stem sealing system
- Working Temperature -20°C to +120°C
- Size range: 20mm
- Maximum operating pressure @ nominal temperature 2600 kPa
- Approved by the Australian Gas Association for use with Natural Gas and LPG
- Suitable for use with vacuum



Application

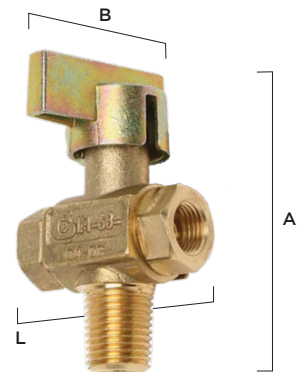
Natural Gas / LPG applications



Part No.	Type	Connection		AGA Approval No.	Dimensions (mm)			Pack Qty
		Inlet	Outlet		A	B	L	
1210450	T-Handle (Butterfly) Loose Nut	3/4" F x F	RC 3/4" x G3/4" Nut	7423	46.5	57	72	16

Bromic Manual Changeover Valve

- 100% Pressure Tested
- High quality brass construction
- Working Temperature -20°C to +120°C
- Maximum operating pressure @ nominal temperature 2600 kPa
- AGA approved
- For use with manual gas regulators



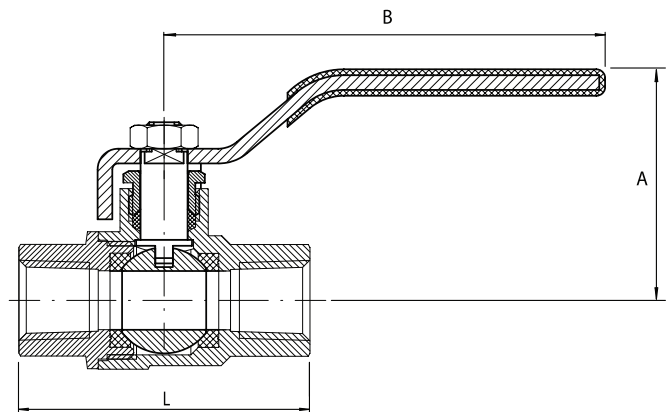
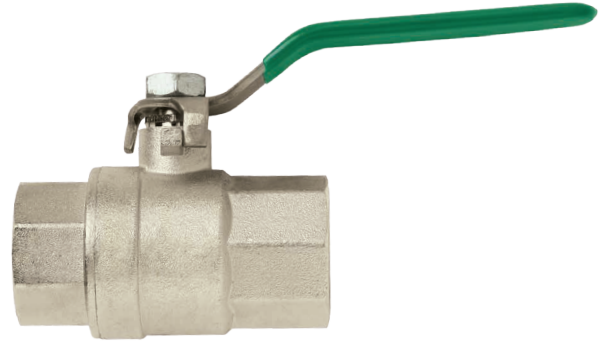
Part No.	Type	Connection		AGA Approval No.	Dimensions (mm)			Pack Qty
		Inlet	Outlet		A	B	L	
1210302	Female Flare	2 x 7/16" Inverted flare	1/4" NPT	4028	60	32	39	10

Bromic Gas/Water Ball Valves

Bromic Gas/Water Lever Handle Ball Valves

Part No. 1210403

- 100% Pressure Tested
- 304 stainless steel lever and nut with conical P.T.F.E stem sealing system
- Working Temperature -20°C to +120°C
- Size range: 10mm to 50mm
- Maximum operating pressure @ nominal temperature 2600 kPa
- Approved by the Australian Gas Association for use with Natural Gas and LPG
- Suitable for use with vacuum



Application

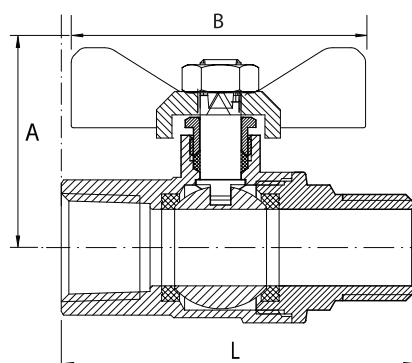
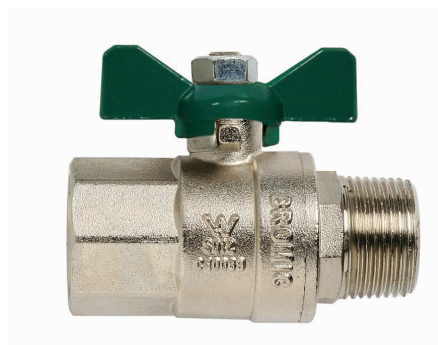
Gas & water applications

Part No.	Type	Connection		AGA Approval No.	Dimensions (mm)			Pack Qty
		Inlet	Outlet		A	B	L	
F x F Lever Handle Ball Valve - Gas/Water								
1210403	Lever Handle	3/8" F x F	RC 3/8"	7425	40	75	49.5	20
1210405	Lever Handle	3/4" F x F	RC 3/4"	7425	52.5	90	68	16
1210406	Lever Handle	1" F x F	RC 1"	7425	58.3	110	82	12
1210407	Lever Handle	1-1/4" F x F	RC 1-1/4"	7425	64	110	96.5	6
1210409	Lever Handle	2" F x F	RC 2"	7425	82	135	125	2
M x F Lever Handle Ball Valve - Gas/Water								
1210436	Lever Handle	3/4" M x F	RC 3/4" x RC 3/4"	7425	52.5	90	68	8
1210617	Lever Handle	1" M x F	RC 25 x RC 25mm	7425	52.5	90	74.5	16

Bromic Gas/Water Ball Valves

Bromic Gas/Water T-Handle Ball Valves

- 100% Pressure Tested
- High quality brass construction
- Working Temperature -20°C to +120°C
- Maximum operating pressure @ nominal temperature 2600 kPa
- Approved by the Australian Gas Association for use with Natural Gas and LPG
- Suitable for use with vacuum



Application

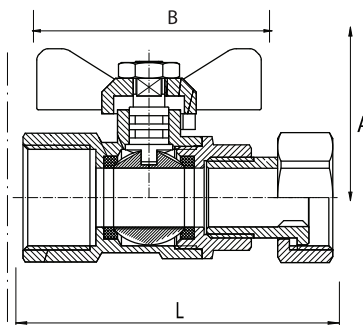
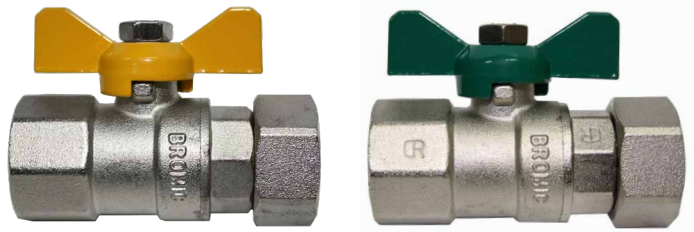
Natural Gas / LPG, water applications

Part No.	Type	Connection		AGA Approval No.	Dimensions (mm)			Pack Qty
		Inlet	Outlet		A	B	L	
F x F T-Handle Ball Valves – Gas/Water								
1210413	T-handle (Butterfly)	1/2" F x F	RC 1/2" x 1/2"	7425	39.5	57	60	20

Bromic Gas/Water Ball Valves

Bromic Gas/Water T-Handle Loose Nut Ball Valves

- 100% Pressure Tested
- High quality brass construction with conical P.T.F.E. stem sealing system
- Working Temperature -20°C to +120°C
- Size range 20mm
- Maximum operating pressure @ nominal temperature 2600 kPa
- Approved by the Australian Gas Association for use with Natural Gas and LPG
- Suitable for use with vacuum



Application

Natural Gas / LPG, water applications

Part No.	Type	Connection		AGA Approval No.	Dimensions (mm)			Pack Qty
		Inlet	Outlet		A	B	L	
1210438	T-Handle (Butterfly) Loose Nut	3/4" F x F	RC 3/4" x G3/4" Nut	7425	46.5	57	72	16

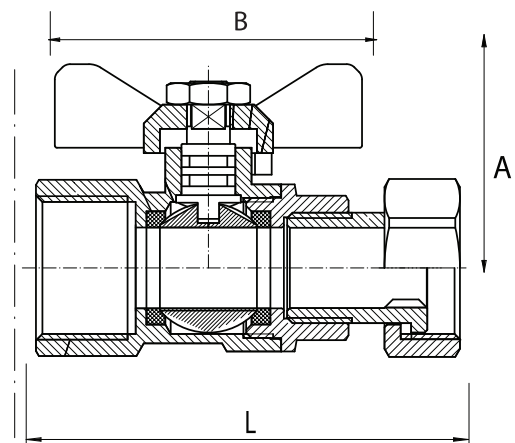
Bromic Water Ball Valves

Bromic Water T-Handle Loose Nut Ball Valves

- 100% Pressure Tested
- High quality brass construction with conical P.T.F.E. stem sealing system
- Working Temperature -20°C to +120°C
- Size range 20mm
- Maximum operating pressure @ nominal temperature 2600kPa
- WaterMark approved for use with potable water
- Suitable for use with vacuum



Application
Water applications



Part No.	Type	Connection		Dimensions (mm)			Pack Qty
		Inlet	Outlet	A	B	L	
1210437	T-Handle (Butterfly) Loose Nut	3/4" F x F	RC 3/4" x G3/4" Nut	46.5	57	72	16
1210439	T-Handle (Butterfly) Loose Nut	3/4" F x F	RC 3/4" x G3/4" Nut	46.5	57	72	16

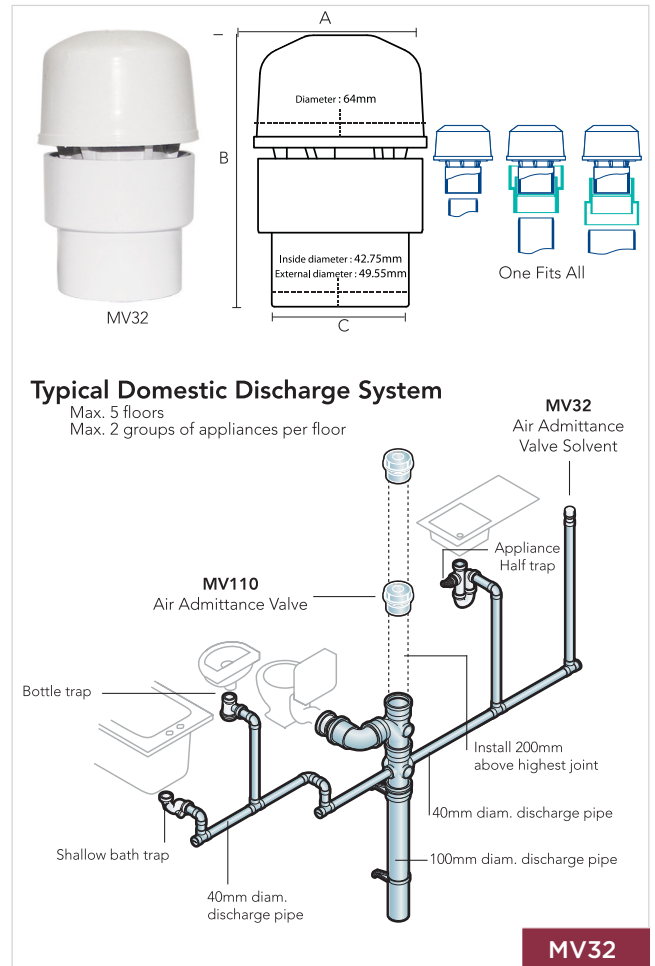
Bromic Magic Valves

Air Admittance Valve with Adaptor for 32-40-50mm

Part No. 1210701

Bromic Magic Valves are air admittance valves designed for roof penetration whilst protecting trap seal.

- Saves the need to penetrate the outlet roof shell
- Saves on the cost of pine and expensive fittings
- Saves on roof flashing
- Saves on labour costs
- Prevents the loss of water from trap seals and consequent release of foul air into the building



Specifications	MV32
Part No.	1210701
Airflow capacity (L/sec)	8.99
Temperature range	-20 to +60°C
A	64mm
B	32mm connection = 53.5 mm 40mm connection = 91 mm 50mm connection = 82 mm
C	32mm connection = 36 mm 40mm connection = 42.75 mm 50mm connection = 55.8 mm
Connection	Solvent
Discharge Pipes	136 - DISCHARGE STACKS 8

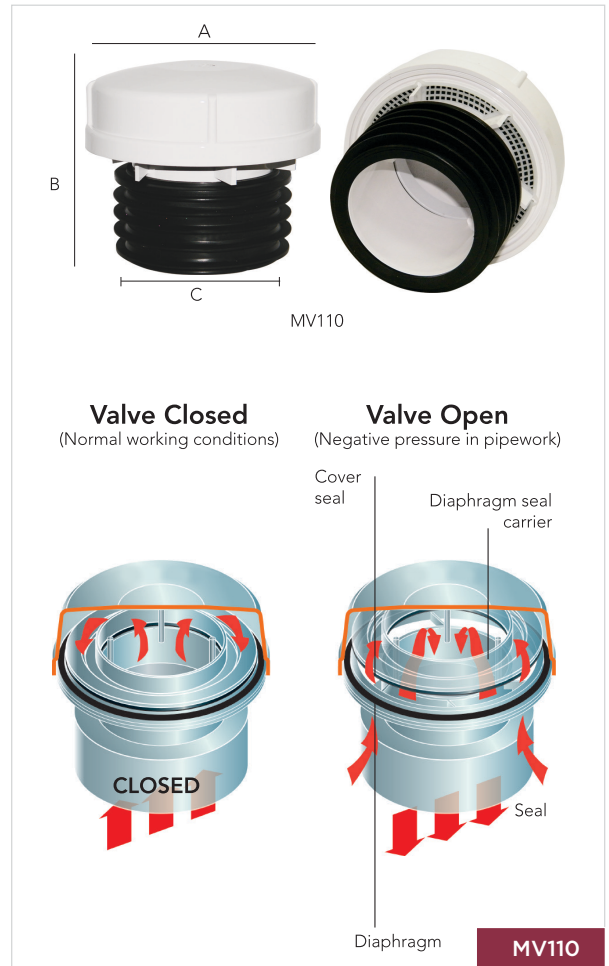
Bromic Magic Valves

Air Admittance Valve 110mm

Part No. 1210702

Bromic Magic Valves are air admittance valves designed for roof penetration whilst protecting trap seal.

- Saves the need to penetrate the outlet roof shell
- Saves on the cost of pine and expensive fittings
- Saves on roof flashing
- Saves on labour costs
- Prevents the loss of water from trap seals and consequent release of foul air into the building



Specifications	MV110
Part No.	1210702
Airflow capacity (L/sec)	108.32
Temperature range	-20 to +60°C
A	150mm
B	71 mm
C	82.4mm (with seal removed for 110mm pipe)
Connection	110mm = Push fit 82mm = solvent (remove seal for 110mm push fit)
Discharge Pipes	19799 - DISCHARGE STACKS 1230

Warranties & Extras

All Bromic products are manufactured to the highest quality standard and come with guarantees against any material or workmanship defects; guarantees that cannot be excluded under Australian Consumer Law. For specific warranty details on any Bromic product, including warranty duration, please refer to the product instructions. Alternatively, contact one of our helpful customer service staff or visit www.bromic.com for more information.

IMAGES, SPECIFICATIONS

Due to the nature of the printing process, colours shown in this catalogue may differ from the actual colour of products. All images, drawings, graphics and design elements contained in this catalogue are subject to Australian and International copyright law. No part of this catalogue may be reproduced, copied or stored in part or whole without the prior written permission of Bromic Pty Ltd. Product details in this guide are indicative only and may change without notice, Bromic reserves the right to change specifications and any other information contained in this catalogue with no recourse from customers.

ORDERING

Orders can be placed by fax, online or email. Our catalogue includes Part No. to ensure ease of use, with the customer in mind.

COMPLIANCE

Products stocked by Bromic comply with all relevant regulatory requirements i.e. MEPS, AGA, electrical and safety requirements.

Notes



A series of horizontal lines for writing notes, starting below the yellow line and extending to the bottom of the page.



Australia & NZ

10 Phiney Place
Ingleburn NSW 2565
Sydney AUSTRALIA
Tel: 1300 276 642
NZ: 0508 276 642
plumbing@bromic.com

BROMICPLUMBING.COM

V3-2/10/2021