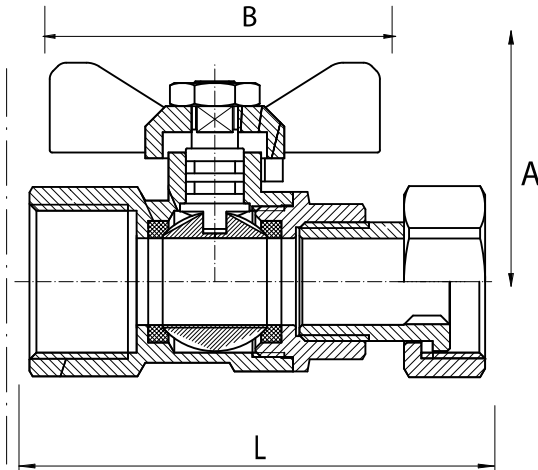




Features

- 100% Pressure Tested
- High quality brass construction with conical P.T.F.E. stem sealing system
- Working Temperature 0°C to 60°C
- Size: 20mm
- Maximum operating pressure @ nominal temperature 2600 kPa
- Approved by the Australian Gas Association for use with Natural Gas and LPG
- Suitable for use with vacuum

Certifications



Specifications

Part No.	Type	Connection		AGA Approval No.	Dimensions (mm)			Pack Qty
		Inlet	Outlet		A	B	L	
1210450	T-Handle (Butterfly) Loose Nut	3/4" F x F	RC 3/4" x G3/4" Nut	7423	46.5	57	72	16