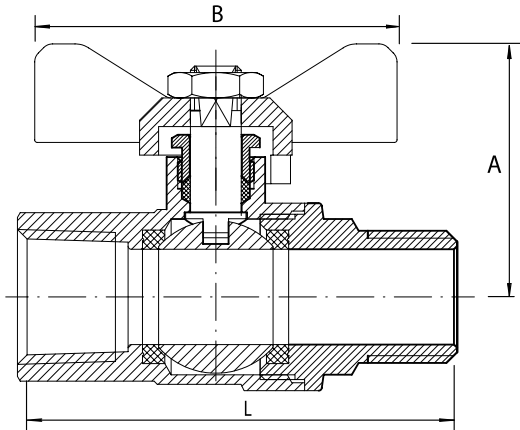


**Features**

- 100% Pressure Tested
- High quality brass construction
- Working Temperature 0°C to 60°C
- Size range: 15mm to 20mm
- Maximum operating pressure @ nominal temperature 1050 kPa
- Approved by the Australian Gas Association for use with Natural Gas and LPG
- Suitable for use with vacuum



**Certifications**



**Specifications**

Part No.	Type	Connection		AGA Approval No.	Dimensions (mm)			Pack Qty
		Description	Thread		A	B	L	
<b>F x F T-Handle Ball Valves - Gas</b>								
1210415	T-handle (Butterfly)	1/2" F x F	RC 1/2" x RC 1/2"	7425	39.5	57	60	20
1210430	T-handle (Butterfly)	1/2" F x M	RC 3/4" x RC 3/4"	7425	46.5	57	74.5	8
<b>M x F T-Handle Ball Valves - Gas</b>								
1210431	T-handle (Butterfly)	3/4" M x F	RC 3/4" x RC 3/4"	7425	46.5	57	68	8
1210419	T-handle (Butterfly)	1" M x F	RC 1" x R 1"	7425	52	57	82	12