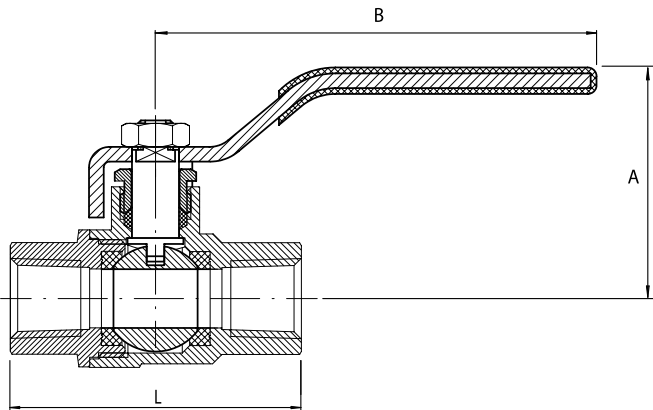


### Features

- 100% Pressure Tested
- 304 stainless steel lever and nut with conical P.T.F.E stem sealing system
- Working Temperature 0°C to 60°C
- Size range: 10mm to 50mm
- Maximum operating pressure @ nominal temperature 1050 kPa
- Approved by the Australian Gas Association for use with Natural Gas and LPG
- WaterMark approved for use with potable water, WM-040069
- Suitable for use with vacuum

### Certifications



### Specifications

Part No.	Type	Connection		AGA Approval No.	Dimensions (mm)			Pack Qty
		Inlet	Outlet		A	B	L	
<b>F x F Lever Handle Ball Valve - Gas/Water</b>								
1210403	Lever Handle	3/8" F x F	RC 3/8"	7425	40	75	49.5	20
1210405	Lever Handle	3/4" F x F	RC 3/4"	7425	52.5	90	68	16
1210406	Lever Handle	1" F x F	RC 1"	7425	58.3	110	82	12
1210407	Lever Handle	1-1/4" F x F	RC 1-1/4"	7425	64	110	96.5	6
<b>M x F Lever Handle Ball Valve - Gas/Water</b>								
1210436	Lever Handle	3/4" M x F	RC 3/4" x RC 3/4"	7425	52.5	90	68	8