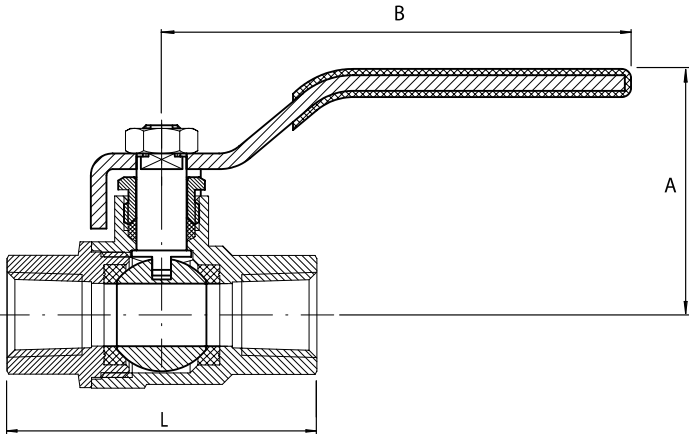


Features

- 100% Pressure Tested
- High quality brass construction
- Working Temperature 0°C to 60°C
- Size range 10mm to 25mm
- Maximum operating pressure @ nominal temperature 1050 kPa
- Approved by the Australian Gas Association for use with Natural Gas and LPG
- Suitable for use with vacuum

Certifications



Specifications

Part No.	Type	Connection		AGA Approval No.	Dimensions (mm)			Pack Qty
		Description	Thread		A	B	L	
1210441	Lever handle	3/8" F x F	RC 3/8"	7425	40	75	49.5	20