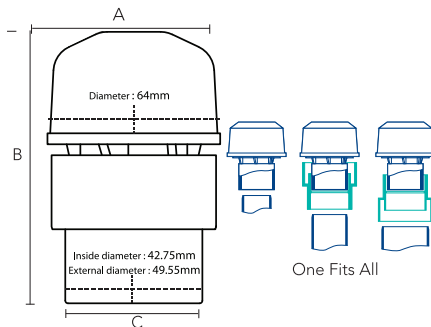


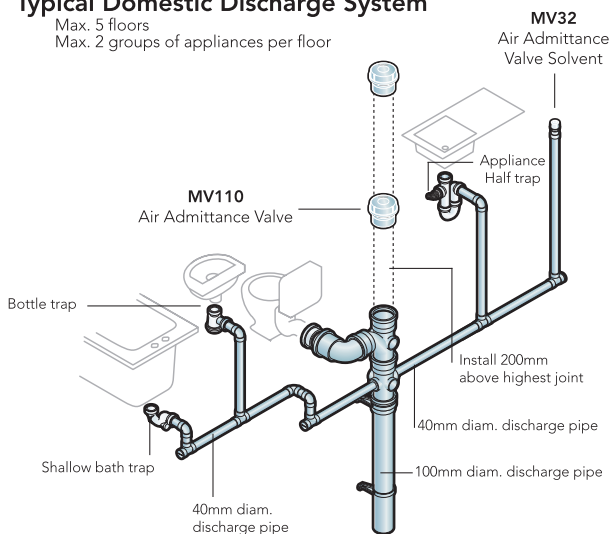


PART No. 1210701
AIR ADMITTANCE VALVE WITH ADAPTOR



Typical Domestic Discharge System

Max. 5 floors
Max. 2 groups of appliances per floor



Features

Bromic Magic Valves are air admittance valves designed for roof penetration whilst protecting trap seal.

- Saves the need to penetrate the outlet roof shell
- Saves on the cost of pine and expensive fittings
- Saves on roof flashing
- Saves on labour costs
- Prevents the loss of water from trap seals and consequent release of foul air into the building
- WaterMark approved WM-040105
- Includes adaptor to fit 32mm, 40mm and 50mm discharge pipes

Certifications



Specifications

Specifications	MV32
Part No.	1210701
Airflow capacity (L/sec)	10.1
Temperature range	-20 to +60°C
A	64mm
B	32mm connection = 53.5 mm 40mm connection = 91 mm 50mm connection = 82 mm
C	32mm connection = 36 mm 40mm connection = 42.75 mm 50mm connection = 55.8 mm
Connection	32mm, 40mm and 50mm Solvent Cement
Maximum Unit Loading	Up to 172 fixture units for discharge pipes and 10 fixture units for discharge stacks